

Q3 COLOR-LR

Cinematic LED Fresnel Light

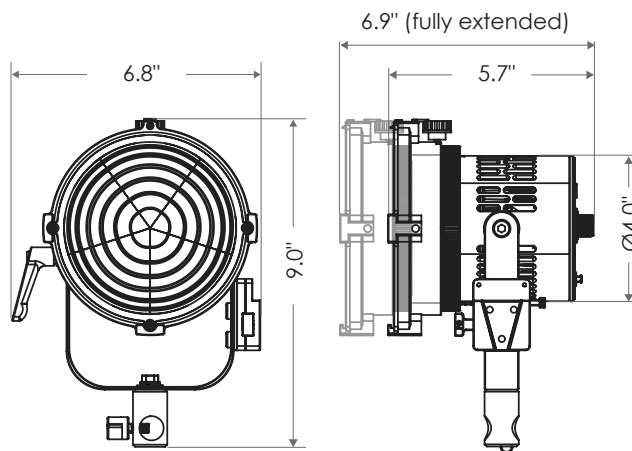
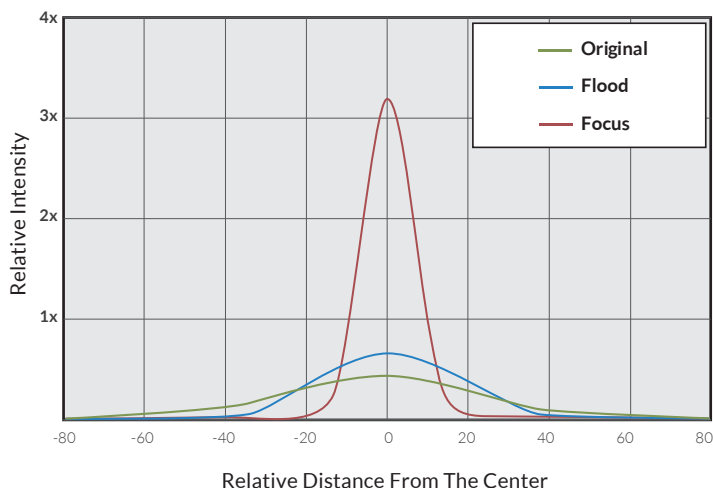
The **Q3 Color-LR** is a cinema-grade 90W full-color fresnel that packs a ton of features into its compact four pound housing. Though the smallest in the Fiilex Q series fresnel line, the Q3 shares the same features including built-in LumenRadio, various color control modes, and DMX profiles. At the core of the Q3 is the latest generation of Fiilex's patented Dense Matrix LED that adheres to the highest standards of dimming and color calibration. Almost a point source, this LED is capable of producing crisp shadows and clean barndoor cuts. Its IP-X5 rating and flexible mounting options also mean it can be used and rigged in harsh and dynamic environments. No other portable LED fixture can match the Q3's combination of power, size, and control.



FEATURES

- High-CRI white light output (2000-10000K)
- 8 and 16-bit color modes: CCTRGBW, CCTHSI, CIExy, etc.
- IP-X5 Rating (water resistant)
- Easy PSU / battery mounting on yoke
- Removable yoke for versatile rigging
- Wireless control via integrated LumenRadio
- Hardline DMX via XLR-5 adapter
- Smooth and Sharp dimming modes
- DMX-controllable fan modes: Full, Auto, Silent, Off
- 8-leaf barndoor cuts clean with no color splitting

BEAM PROFILE

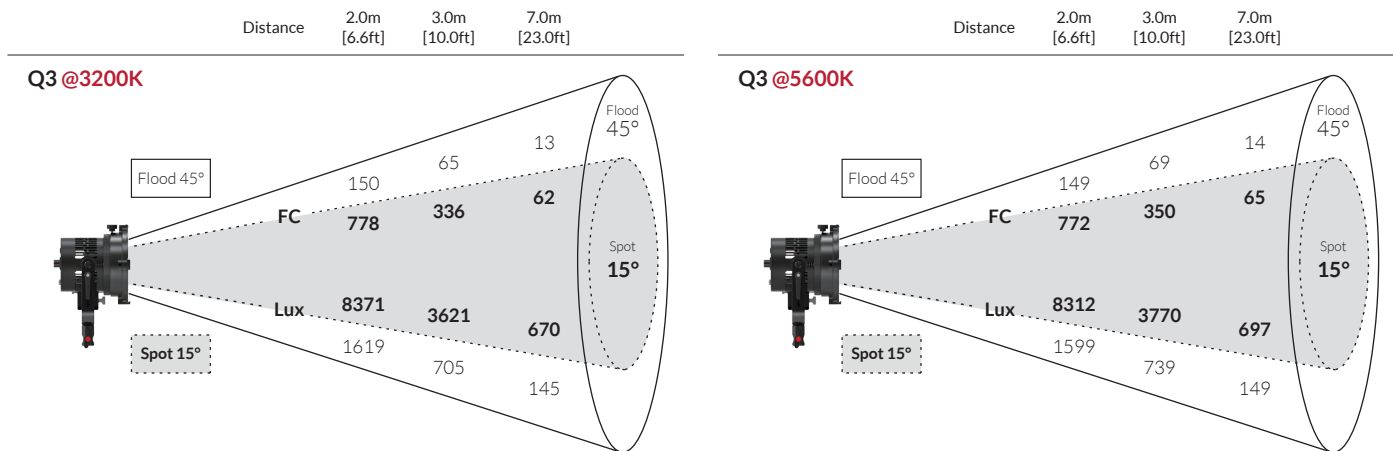


231106A

SPECIFICATIONS

Fresnel Diameter	5"
Beam Angle	15°-45° with fresnel (55° without fresnel)
CCT Range	2000-10000K continuous tuning + magenta/green shift
CRI / TLCI	95 / 90 typical
Control Modes	CCT, HSI, RGBW, Gels, CCTRGBW, CCTHSI, CIExy, ICTHS, and more
Dimming	100 - 0% flicker free
Dimming Modes / Curve	Smooth, Sharp / Linear, Gamma
Light Engine	DiCon Dense Matrix LED
Power Consumption	90W max AC 80W max DC
BTUs/hour	307 (BTUs/hour) max
DC Input	14 - 30V DC (via 5.5mm x 2.5mm Barrel)
AC Input	100 - 240V AC, 50 ~ 60Hz
DMX / RDM Port	TRRS (XLR-5 via adapter)
Wireless Control	Integrated LumenRadio CRMX
USB Power Output	5V/1A (via USB-C)
Weight	Fixture: 4.5 lbs / 2kg (includes yoke, barndoors) Power adapter: 1.1 lbs/0.5kg
Size (L x W x H)	5.7" x 6.8" x 9.0" / 14.4cm x 17.4cm x 23.0cm
Mount	Baby stud 5/8" female (16mm)
IP Rating	IP-X5 (water-resistant)
Thermal Design	Controllable fan
Operating Temperature	32 - 104°F / 0 - 40°C

PHOTOMETRIC DATA



ACCESSORIES



Flexible Energy Source 270



D-Tap Cable - 24" Curled



Q3 Surface Mount Trim 5"