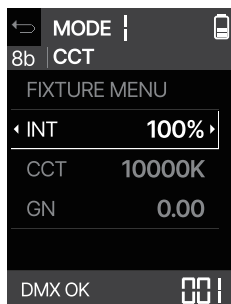
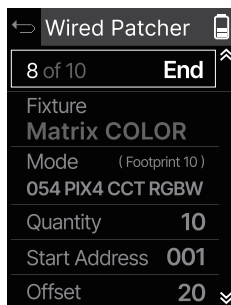


The **RPU, Remote Patcher Utility**, is a multi-functional tool designed for lighting professionals, able to control and troubleshoot any lighting setup. The Remote tool lets users modify fixture parameters and output on the fly. The Patch tool allows for quick multi-fixture patching and saving patch presets, which can be done wirelessly or through wired connections. The Utility tool lets users view, output, and analyze DMX signals, in addition to updating firmware on all Fiilex fixtures. As with all Fiilex fixtures, the RPU has a rugged, water-resistant design enabling it to perform in the most challenging environments. And with multiple ways to mount and carry, it is a useful item to bring anywhere.



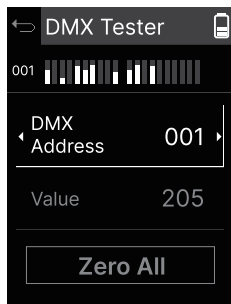
REMOTE

- Full Fixture Control
- Wired and Wireless connection



PATCHER

- Quickly patch Fiilex Fixtures
- Save Patch Presets
- Wired and Wireless Patching

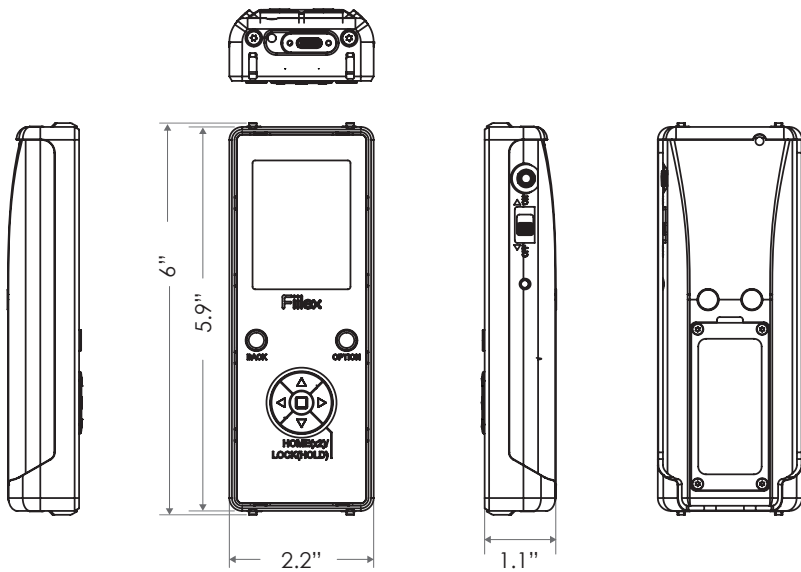


UTILITY

- Update Fiilex Fixtures
- DMX Tester - View/Set/Analyze DMX Levels
- Record and Playback DMX tracks - up to 1 hours

GENERAL FEATURES

- 1.5 Hours of Battery Life
- Rugged Shock-proof Design
- IP-X4 Rating (Water Resistant)
- Wireless Fixture Connection
- 2.4 LCD Screen
- Firmware Update via Wi-Fi



SPECIFICATIONS

Size (L x W x H)	6.0" x 2.2" x 1.1" / 15.2 cm x 5.6 cm x 2.8 cm
Weight	0.49 lbs / 0.22 kg
Battery Life / Charging via Type - C	1.5 hour / 90% charge in 20 minutes
Storable Data	1 hours of full 512 channel DMX Playback
IP Rating	IP-X4
DMX Output Speeds	20 - 44 Hz
LCD Screen	2.4 inch, TFT
DMX / RDM Port	TRS (XLR-5 via adaptor)
Wireless Control	Integrated LumenRadio CRMX
Mount	1/4" - 20 / Magnets / Lanyard
Updates	via Wi-Fi

ACCESSORIES



DMX Cable
locking nut



USB-C Cable
w/ locking screw (1.5m)



USB-C Cable
w/ locking screw (3.0m)